

HAMLET

&

Model No.

EN86-A

HM86-A

HM86M

MN86-A

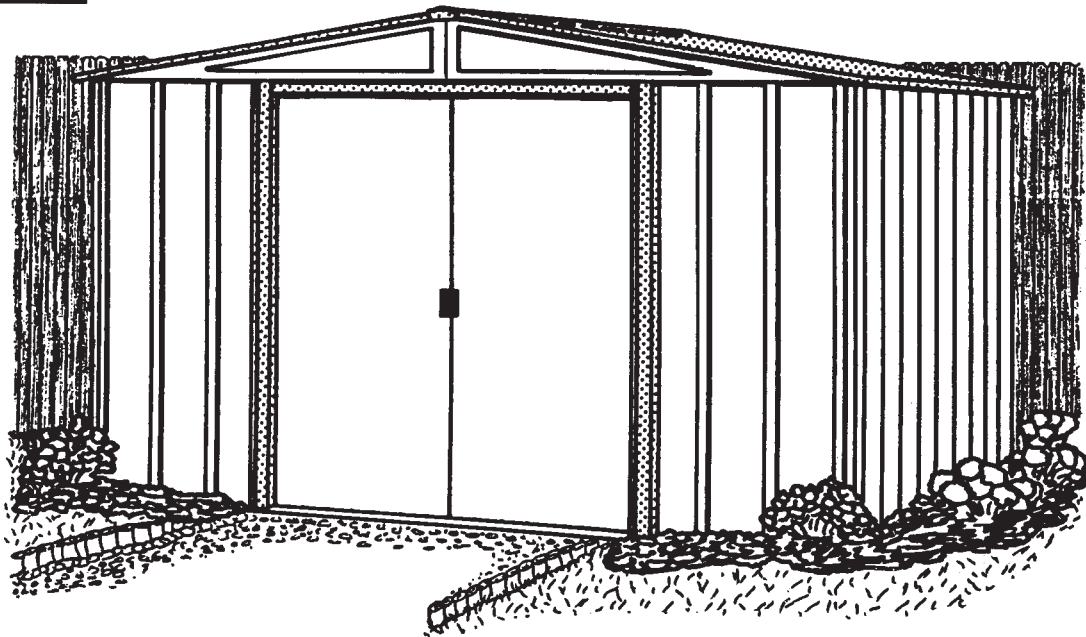
NP86

NW86-A

SA86-A

VN86-A

697.68537-A



8 (495) 966-23-86

709320210

4,0 m² 6,5 m³



() ()

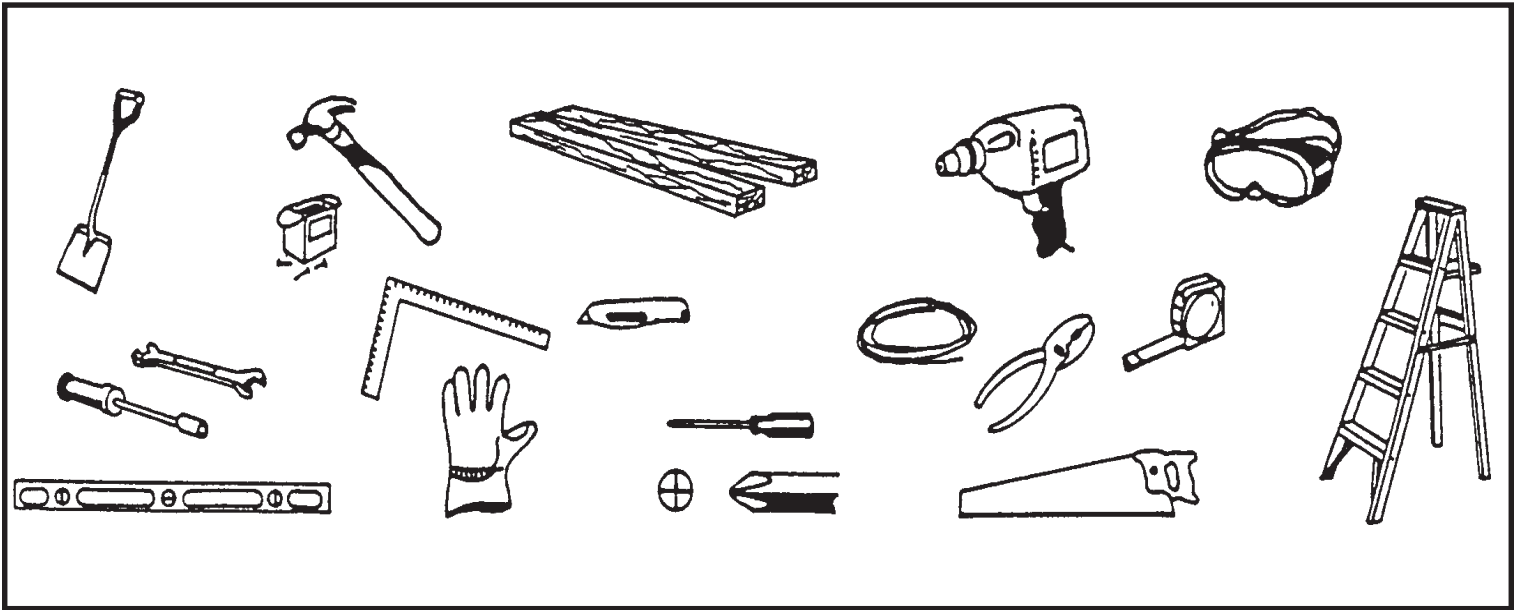
2,4 m x 1,7 m 247,7 cm x 174,6 cm 253,4 cm 181,0 cm 172,4 cm 240,7 cm 167,6 cm 169,2 cm 110,5 cm 147,3 cm

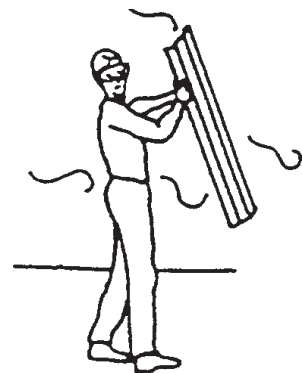
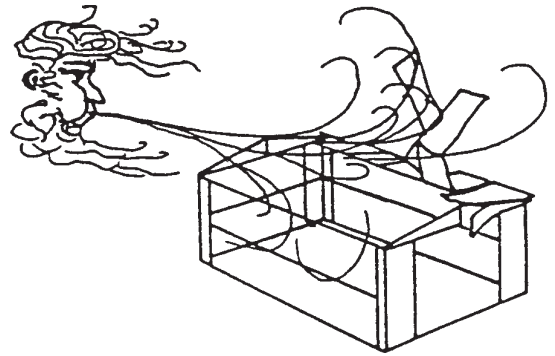
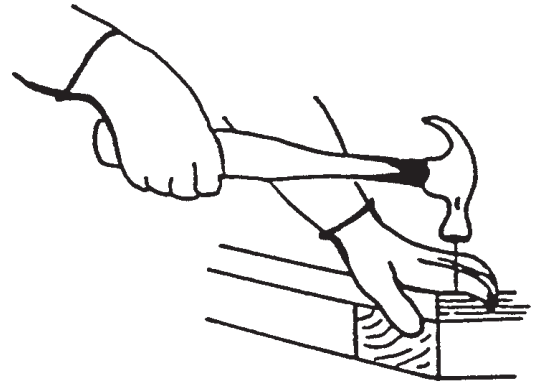
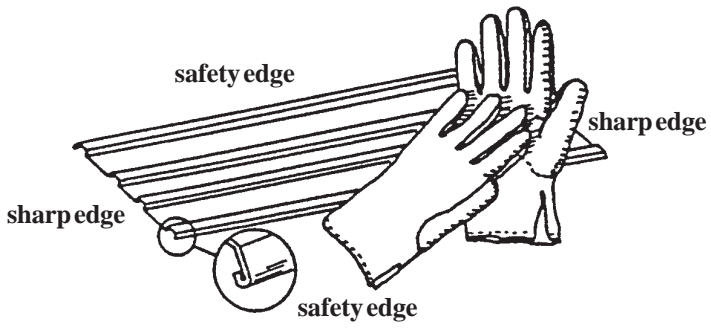
Frame Kit Arrow Anchoring Kit

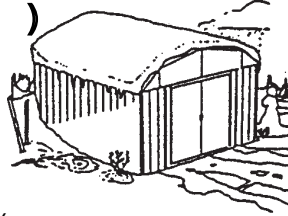
: Arrow Floor

12.

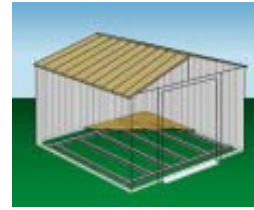
: 8 (495) 966-23-86





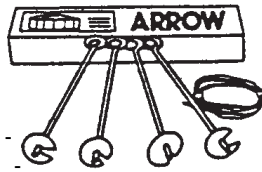


50%.



FB47410, FB5465, FB106-A
FB109-A FB1014-A

4



, 18

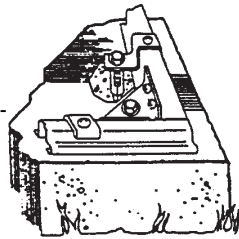
4

3,0 x 2,6

2

100

101



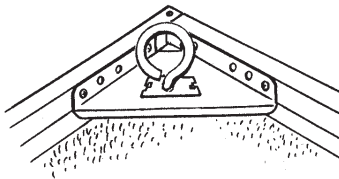
3,0



113

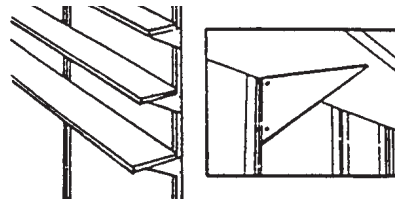
1/4

600

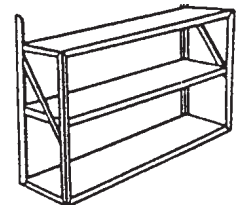


4

100



SS404



SS900-

(64,8)

20,3 30,5

• 3
•

38





ÝÒÀ

ÑÒΘÀÍÈÖÀ

ÎÑÒÀÂËÁÌ

ÏÓÑÒÎÉ

ÑÏÅÖÈÀËÛÎ

ΙΝΠΑΑΙΕΑ ΑΕΒ ΑΑΘΑΑΙ ΝΟΘΙΑΙΕΒ



ΑΑΘΕΑΙΟ 1: ΕΠΠΕΑΕΟ ΑΕΒ ΙΝΠΑΑΙΕΒ ΙΟ ΑRROW

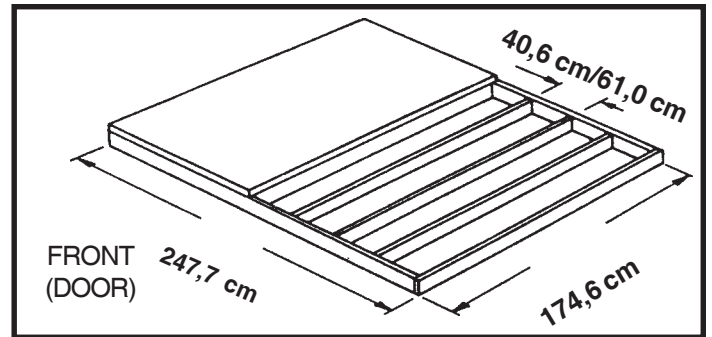
(No. FB106-A or 68381-A)

ARROW

- 1) ARROW
- 2) ARROW

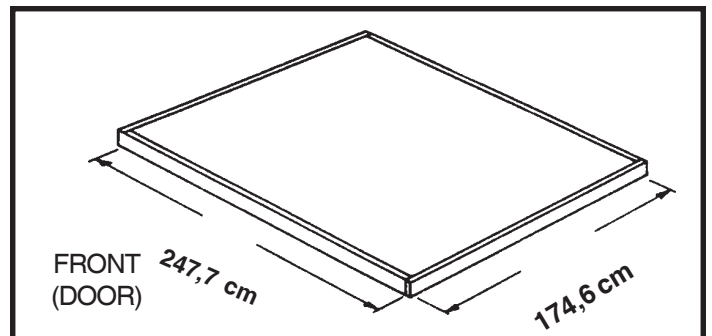
ΑΑΘΕΑΙΟ 2: ΑΑΘΑΑΒΙΙΑΒ ΤΕΑΘΟΙΘΙΑ

38 x 89
 15,5 1220 x 2440
 6-7



ΑΑΘΕΑΙΟ 3: ΑΑΘΙΙΑΒ ΤΕΕΘΑ

10,2



ÓΝΟΑΪΑÈÀ ÀÍÈΔΪÀ

A10

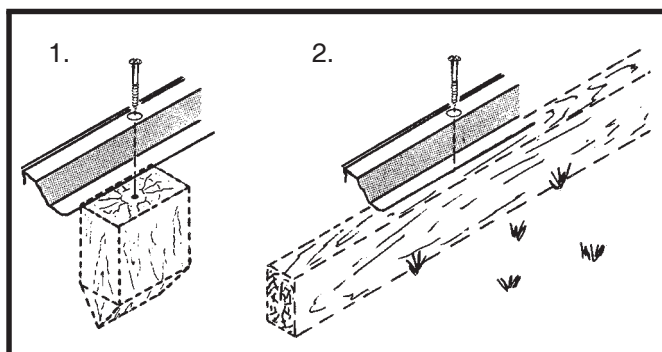
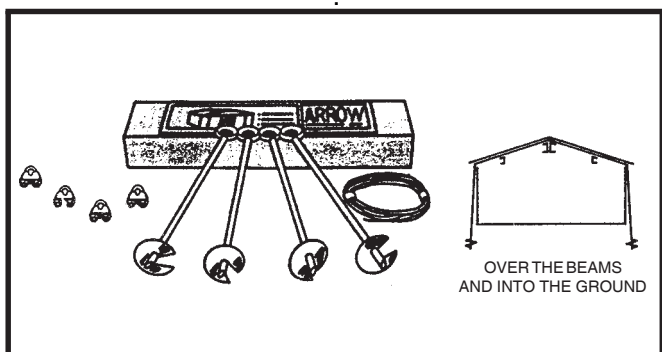
ÈΔΑΪΕΑΪÈÀ ÀÍÈΔΑΪÈ ÇÀ ÌÈÇ ÇΑΑΪÈÈ

ÓΝΟΑΪΑÈÀ ÀÍÈΔΑΪÀ ÌÈÇÇΑΪΑÈÒÈÈÈ ΠΪΝÈΑ ΠΕΠÈ ÑΑΪÈÈÈ ÇΑΑΪÈÈ

ARROW: (AK4 60298)

6-

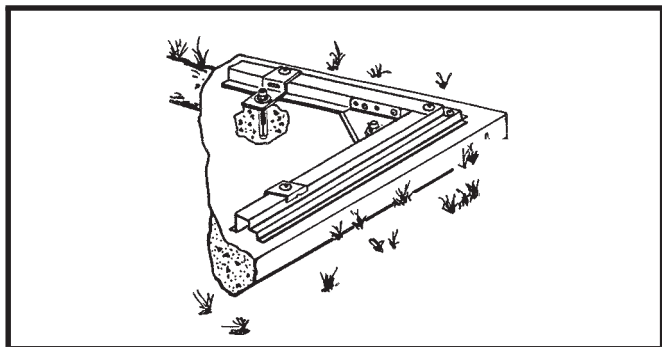
: 4



ARROW: (AK100 68383)

ARROW.

6

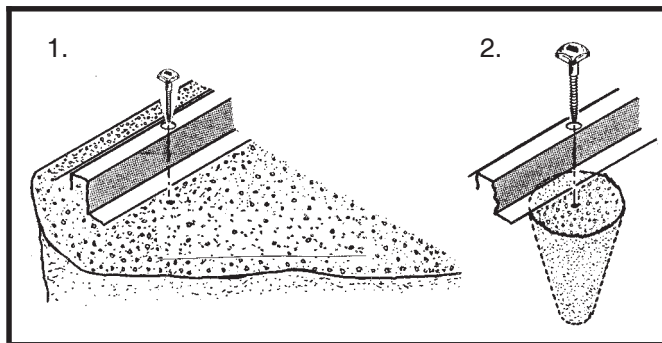


1.

(6 x 51).

2.

6 x 152



ΕΙΣΗΓΕΣΕΩΣ

B11hw



65103
#8-32 Hex Nut (105)



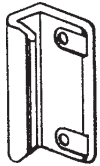
65900A
#10Bx1/2" (13 mm)
Black Screw (8)
(Packed with Screws)



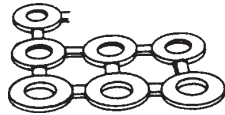
65923
#8-32x3/8" (10 mm)
Bolt (105)



65004
#8Ax5/16" (8 mm)
Screw (266)



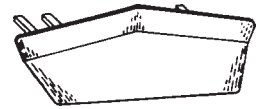
66045
Handle (2)



66646
Washer (279)
(8 sheets of 40)



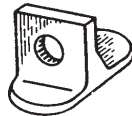
65109
#8-32 Acorn Nut (6)
(Packed with Screws)



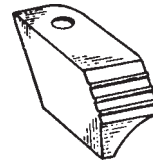
67468
Peak Cap (2)
(Arrow Logo)



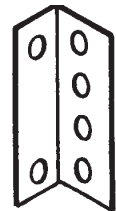
66769
Door Slide (4)



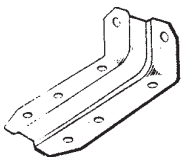
66382
Lower Door Guide (4)



66183
Roof Trim Cap
(2 right & 2 left)



7916
Roof Beam Bracket (4)



6228
Track Support (2)



66029
Plug (2)
(Packed with Screws)



67293
Weather Stripping (1)

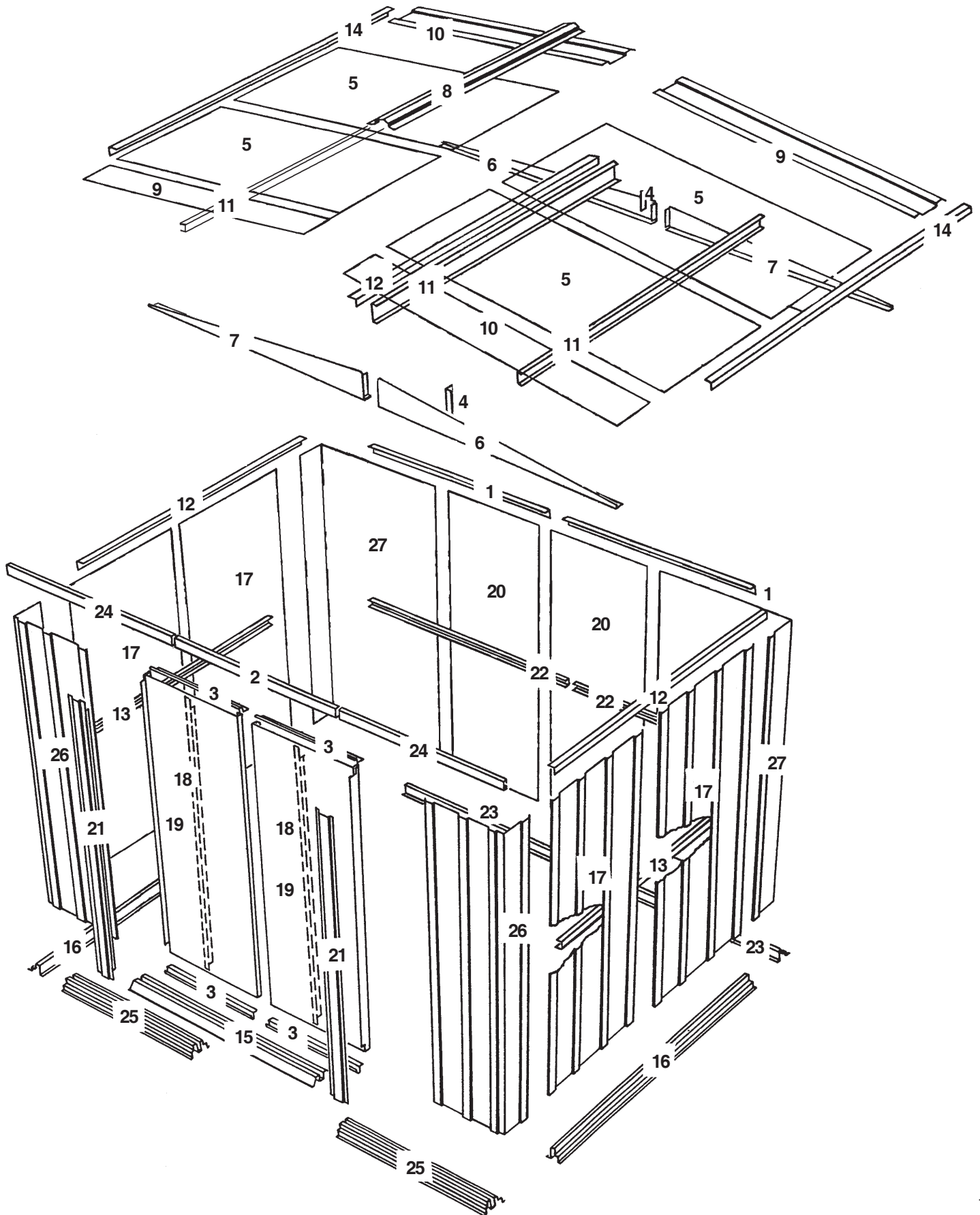
ÏÄÐÅ×ÁÍÛ ÝËÄÌÁÍÒÏÄ

B12

Assembly Key No.	Part Number	Part Description	Quantity in Carton	Check List
1	6615		2	
2	6617		1	
3	10498		4	
4	6658		2	
5	7875		4	
6	7906		2	
7	7907		2	
8	8461		1	
9	8466	(.)	2	
10	8467	(.)	2	
11	8474		3	
12	8476		3	
13	9920		2	
14	8482		2	
15	8941		1	
16	8946		2	
17	8995		4	
18	9355		2	
19	10488		2	
20	9363	Ñòáííàäý ïàíáëü	4	
21	9900		2	
22	9924		2	
23	9377		2	
24	9378		2	
25	9379		2	
26	9380		2	
27	9384	-]2	

Assembly by Key No.

B13



1

- 8941 Ramp (1)
- 9379 Front Floor Frame (2)
- 9377 Rear Floor Frame (2)

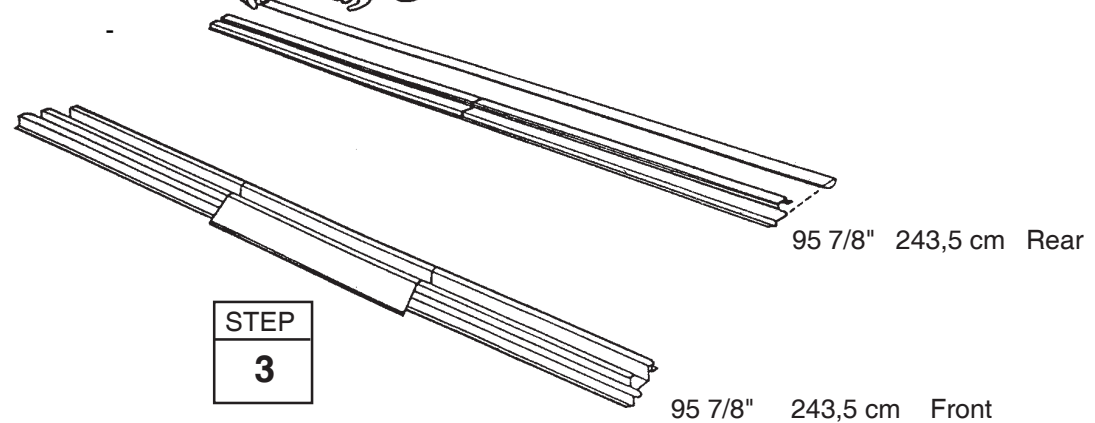
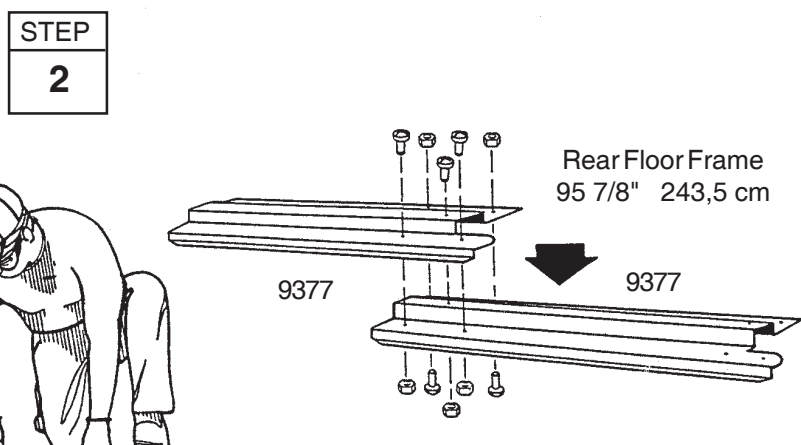
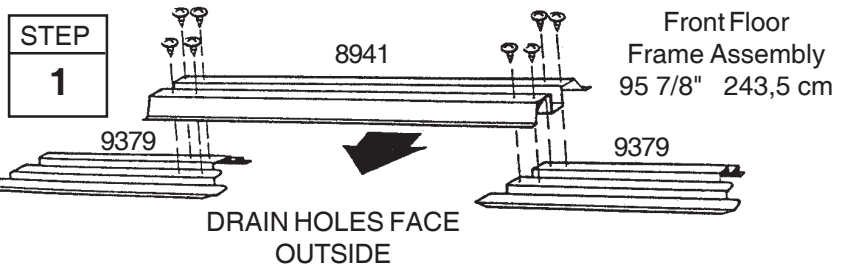
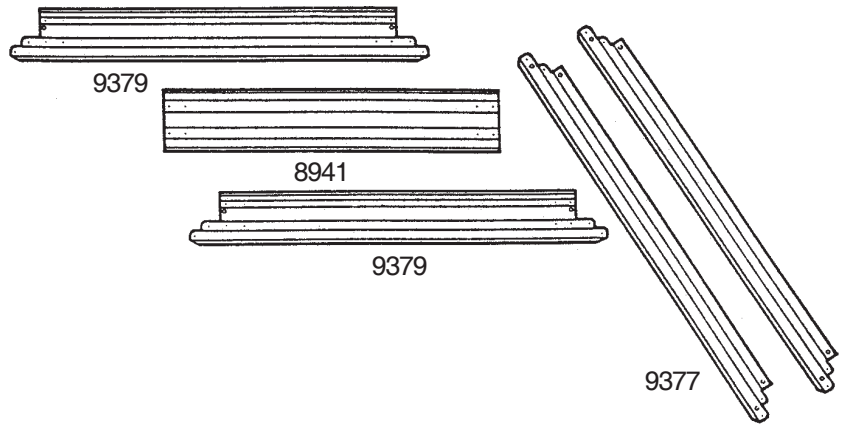
B14hw



(8)



(5)



1

8-

2.

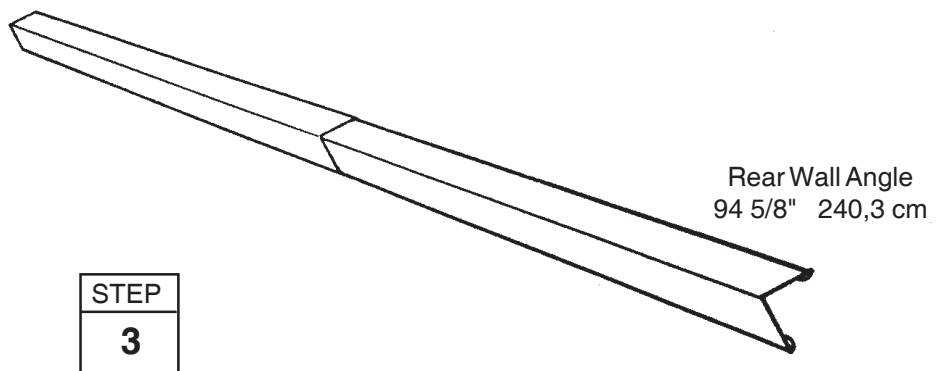
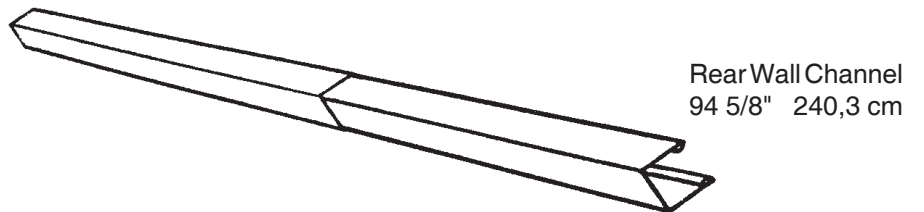
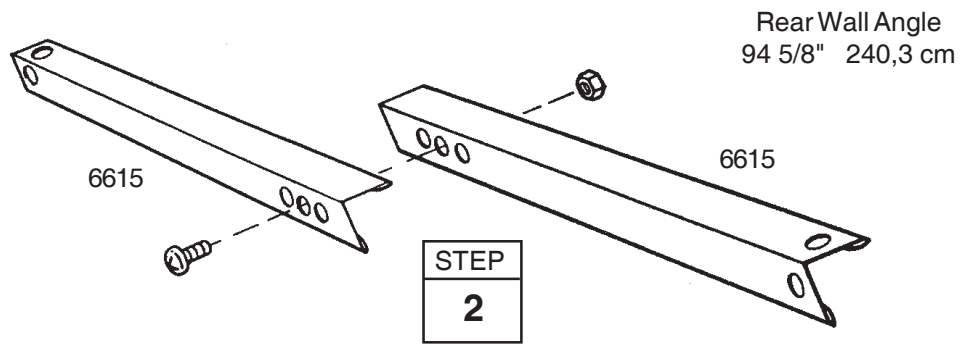
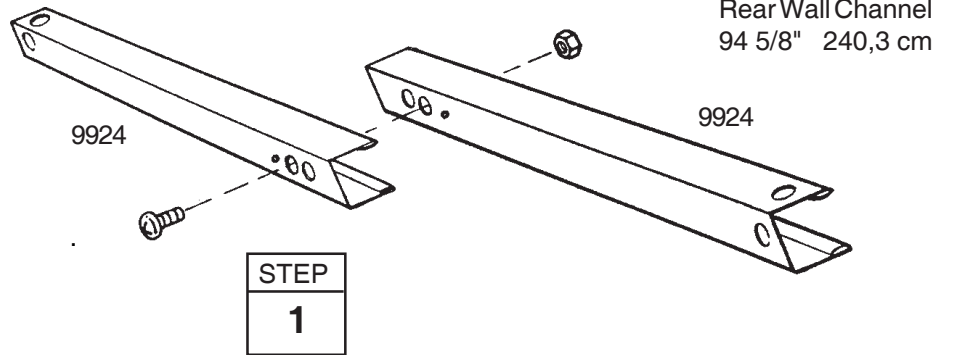
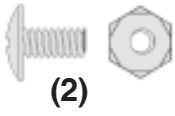
3

ØÃÃ 2

B15hw

● Íáíáõîäèìúå ÷-åñòè ●
Ñîäëèíáíèå ðåååð æåñòèêîñòè

- 6615 Rear Wall Angle (2)
- 9924 Rear Wall Channel (2)



ØÃ 3

B16hw

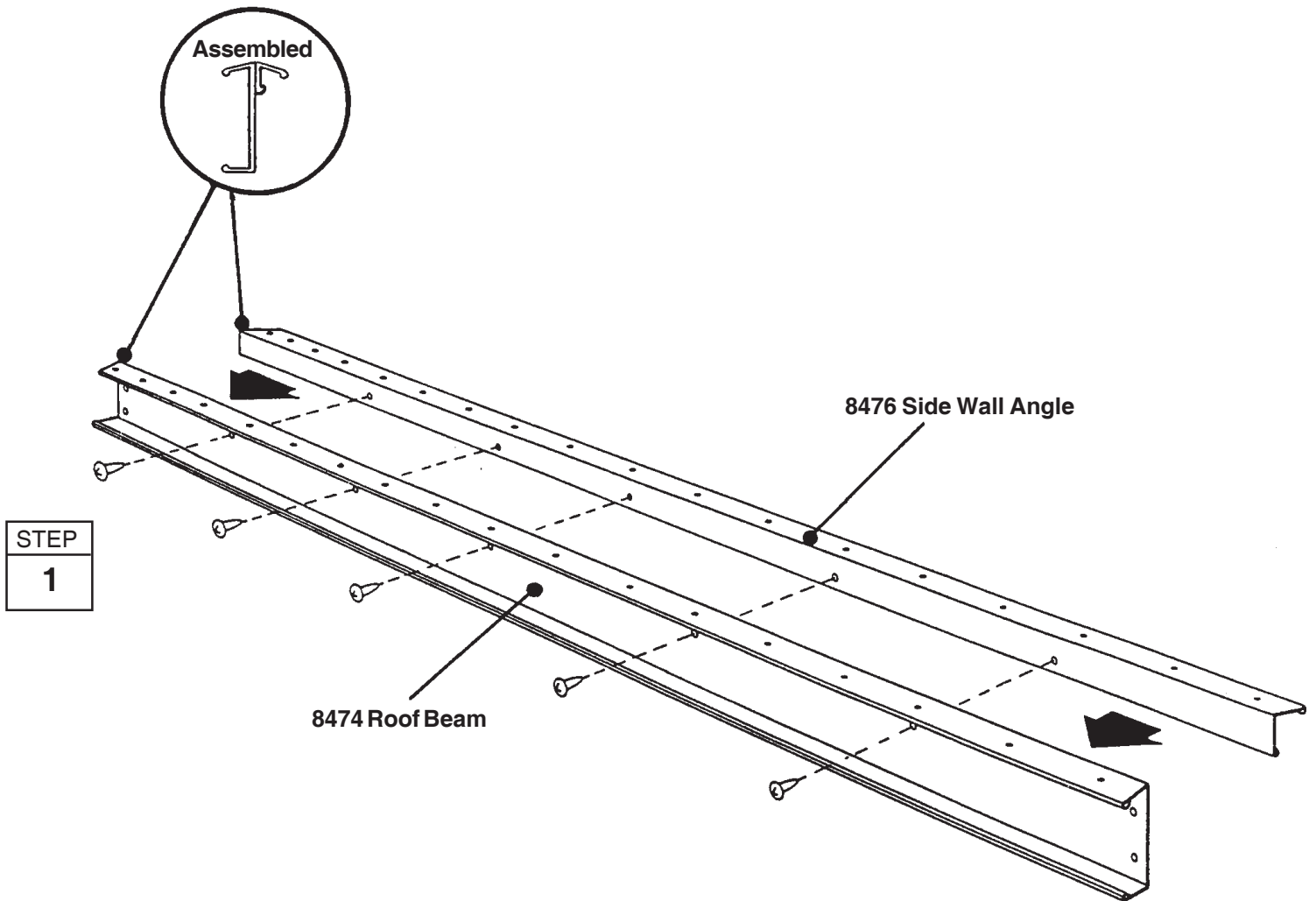
● Íáíáõîäèìûå ÷-àñòè ●
Ñáíðêà ñòðîèèè

- 8474 Roof Beam (1)
- 8476 Side Wall Angle (1)



(10)

10-



STEP
1

8474 Roof Beam

8476 Side Wall Angle

Main Roof Beam

ØÃ 4

B17hw

• Íáíáõîäèìùå ÷-àñòè •

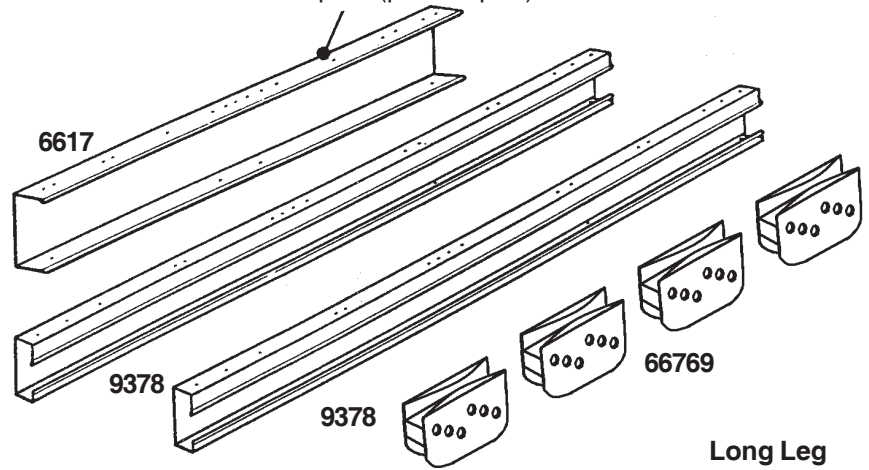
- 6617 Door Track Splice (1)
- 9378 Door Track (2)

Ñáîðèà äâáõíúõ íàîðàäèÿðùèõ



(4)

NOTE:
Door Track Splice (painted part)



1

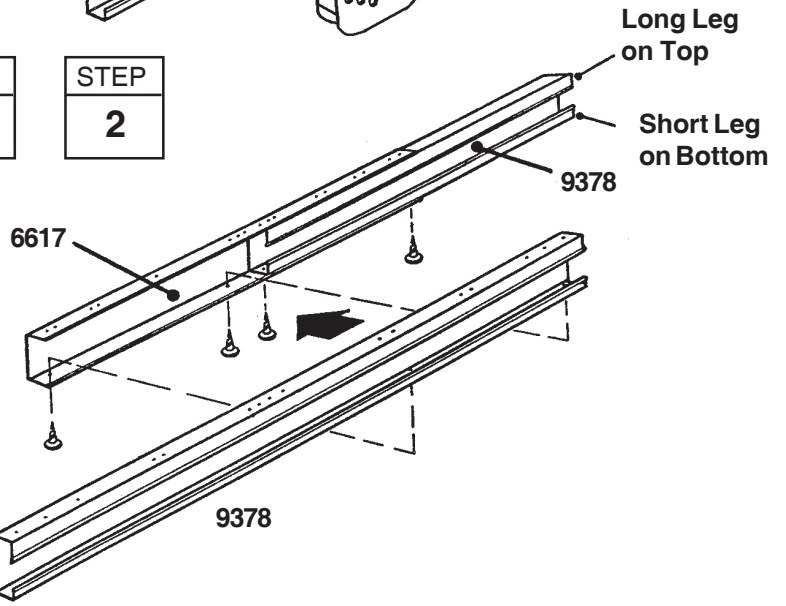
2

3

4

STEP
1

STEP
2



STEP
3

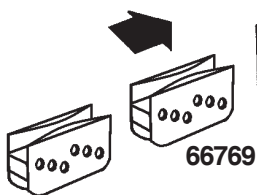
STEP
4

94 5/8"
240,3 cm

94 5/8" 240,3 cm



END VIEW



Ø 5

B18hw

● Íáíáóíäèìúá ÷ àñòè ●

Đà à ì ì è à

- Front Floor Assembly (1)
- 8946 Side Floor Frame (2)
- Rear Floor Assembly (1)

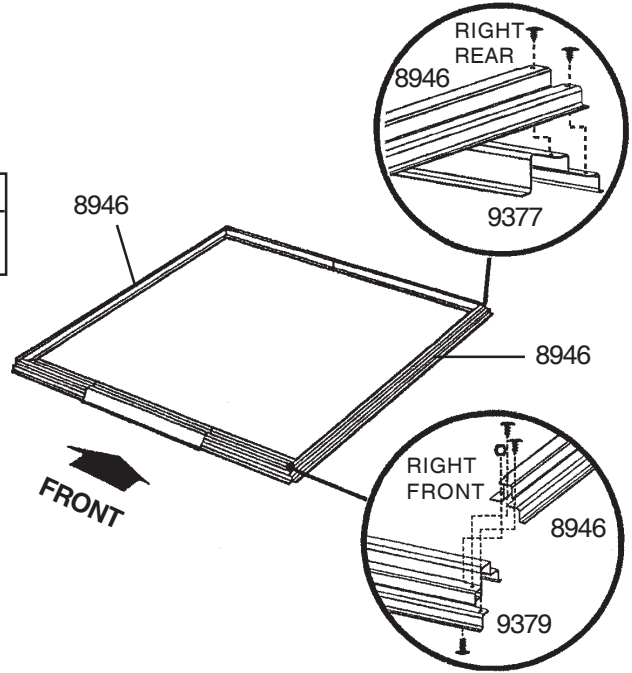


(8)



(2)

STEP
1

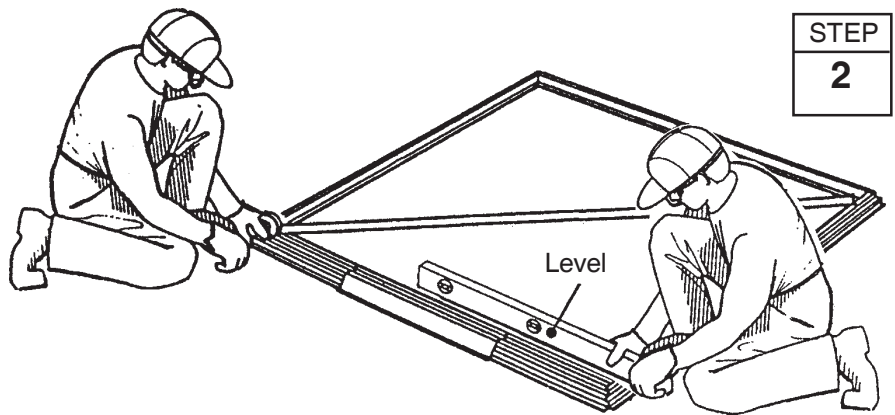


1

2



STEP
2



Ø 6

1291hw

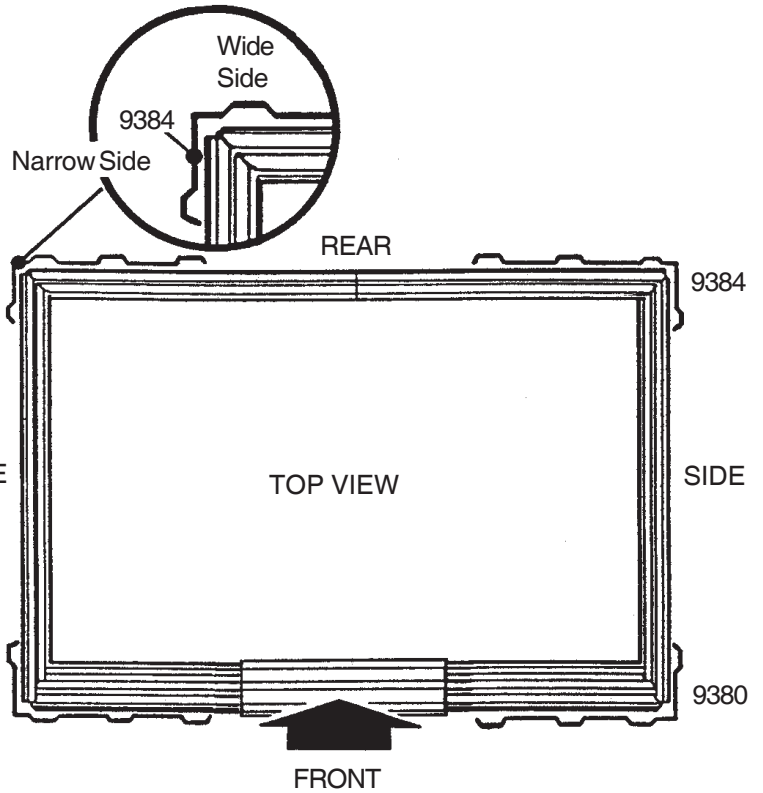
● 9380 Front Corner Panel (2)

● 9384 Rear Corner Panel (2)

● 9380 Front Corner Panel (2)
● 9384 Rear Corner Panel (2)



STEP
1



STEP
2



CORRECT

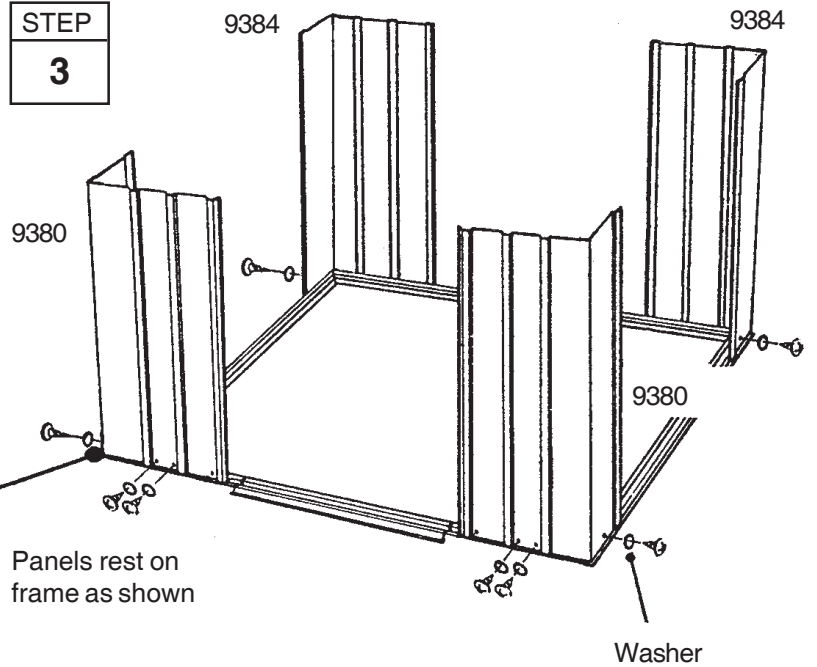


INCORRECT

1

2

STEP
3



3.



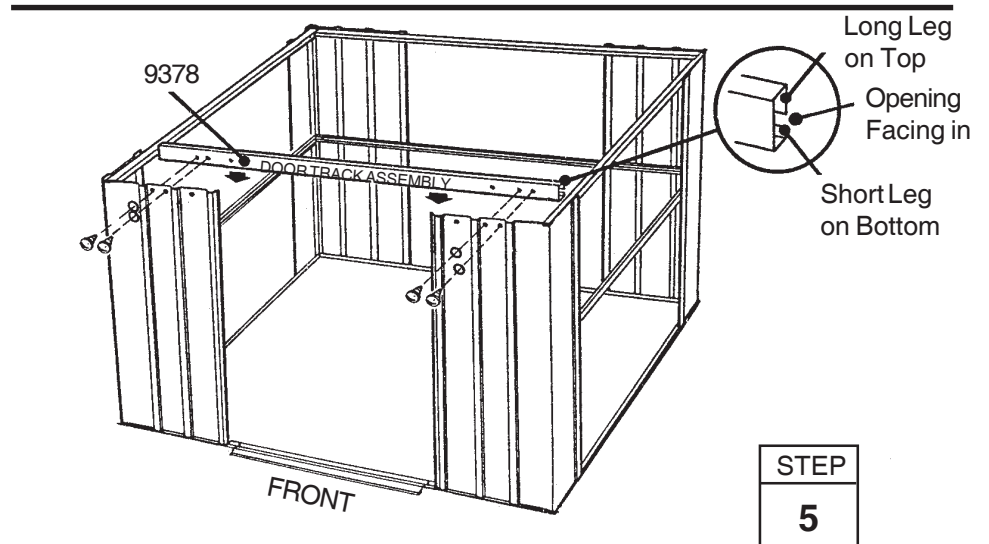
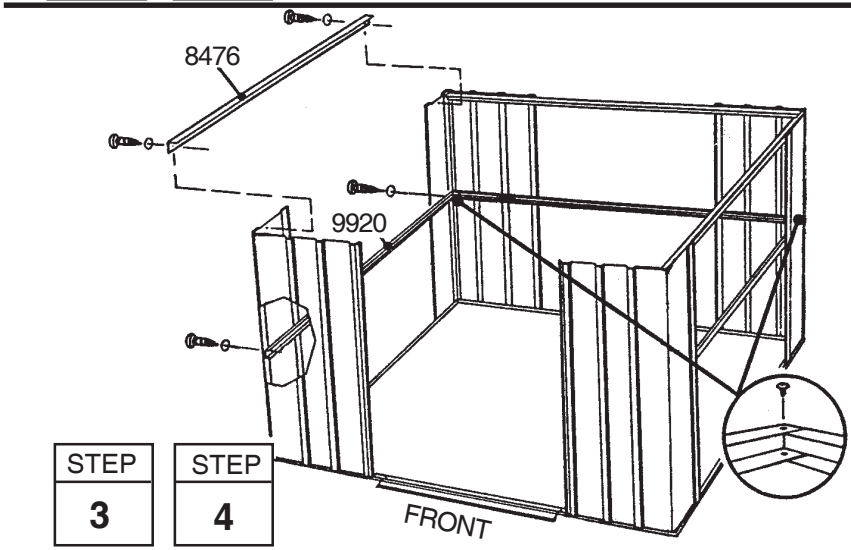
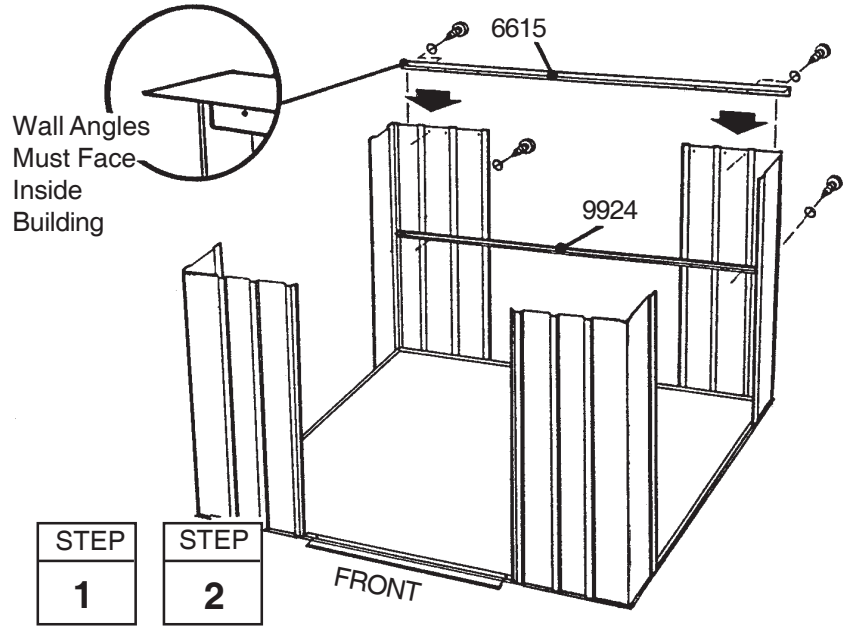
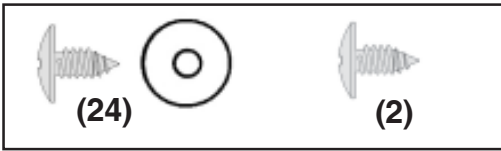
ØÃ 7

B20hw

● íáíáõíäèìúá ÷ àñòè ●

Êàðêàñ

- Door Track Assembly (1)
- Rear Wall Angle Assembly (1)
- 8476 Side Wall Angle (2)
- Rear Wall Channel Assembly (1)
- 9920 Side Wall Channel (2)



1

(.) .

2

3

4

5

Ø 8

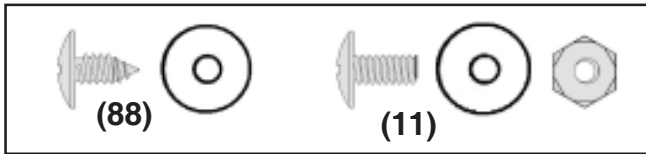
B21hw

• 8995 Wall Panel (4)

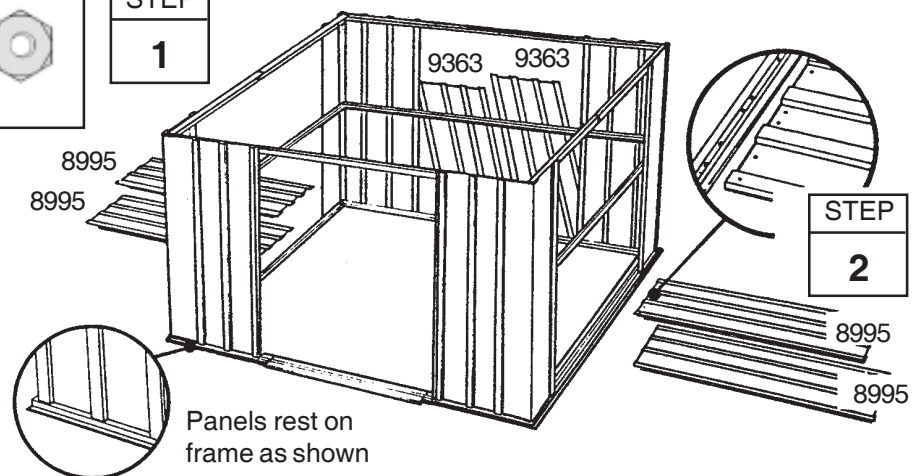
• 9363 Wall Panel (2)

• 8995 Wall Panel (4)

• 9363 Wall Panel (2)



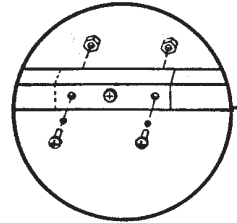
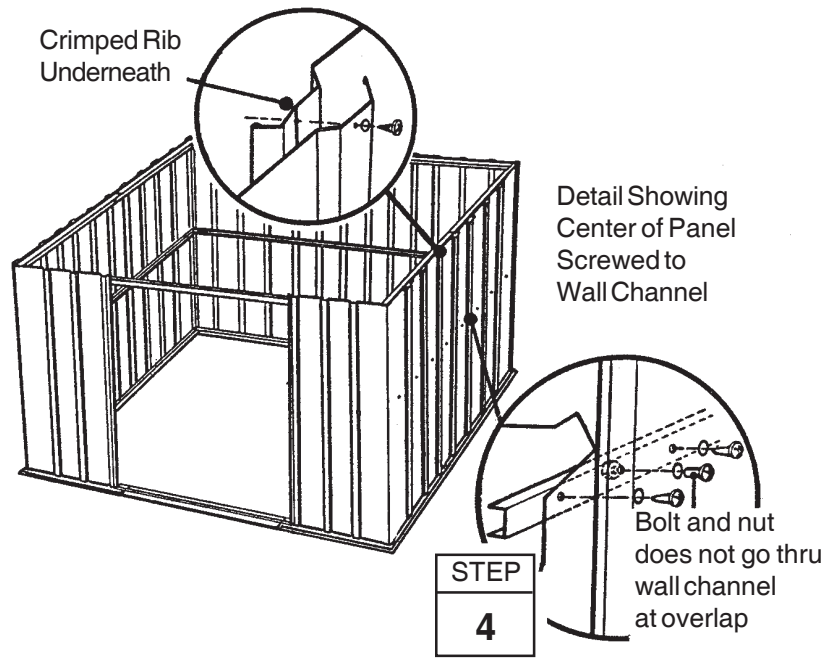
STEP
1



1
2
3
4
5,

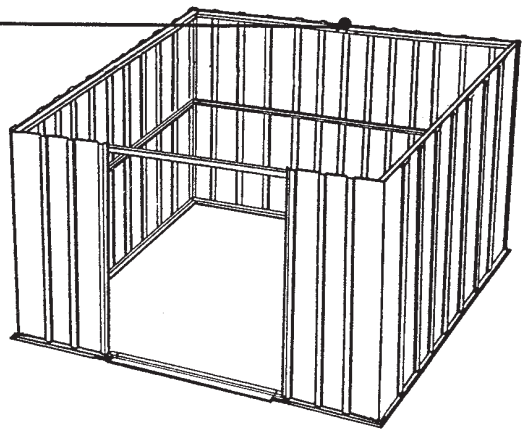
Crimped Rib Underneath

STEP
3



Use bolts and nuts thru wall angle overlap at the top of panel at rear.

STEP
5

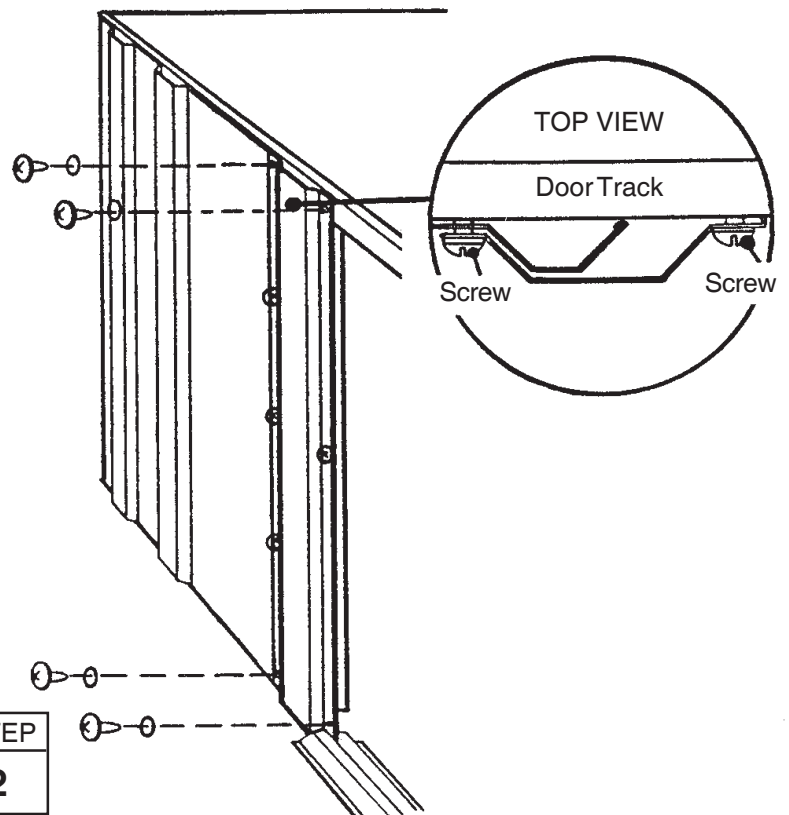
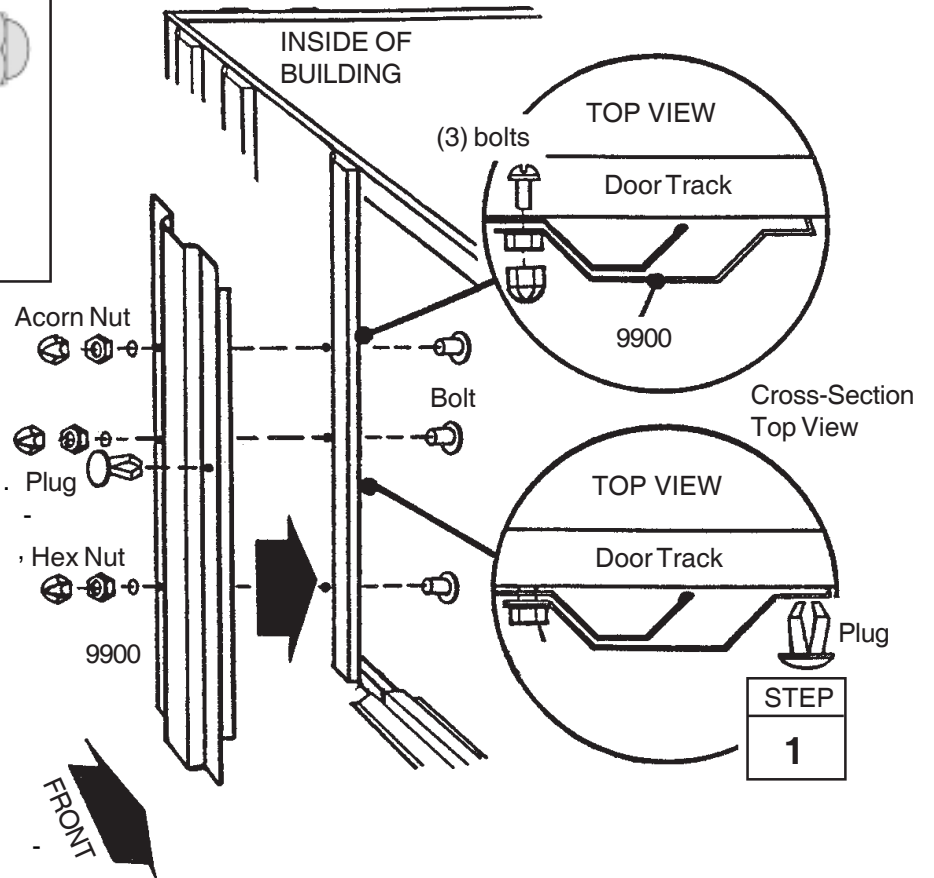
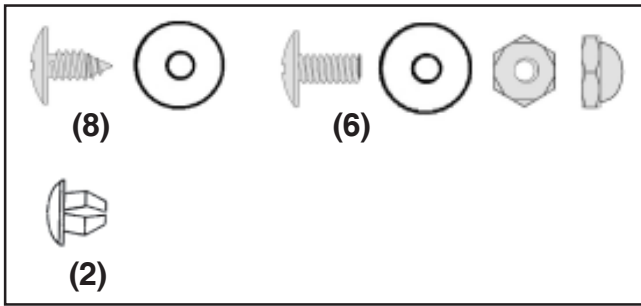


Ø 9

B22hw

● Íáíáóíáèíúá ÷ àñòè ●
Íãðáíè ÷ èòáèè áááðáé

● 9900 Door Jamb (2)



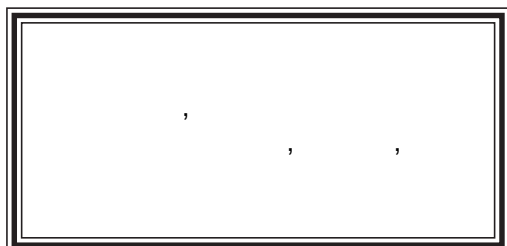
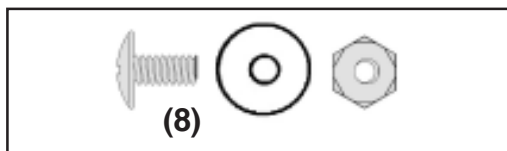
1 - 2

Ø 10

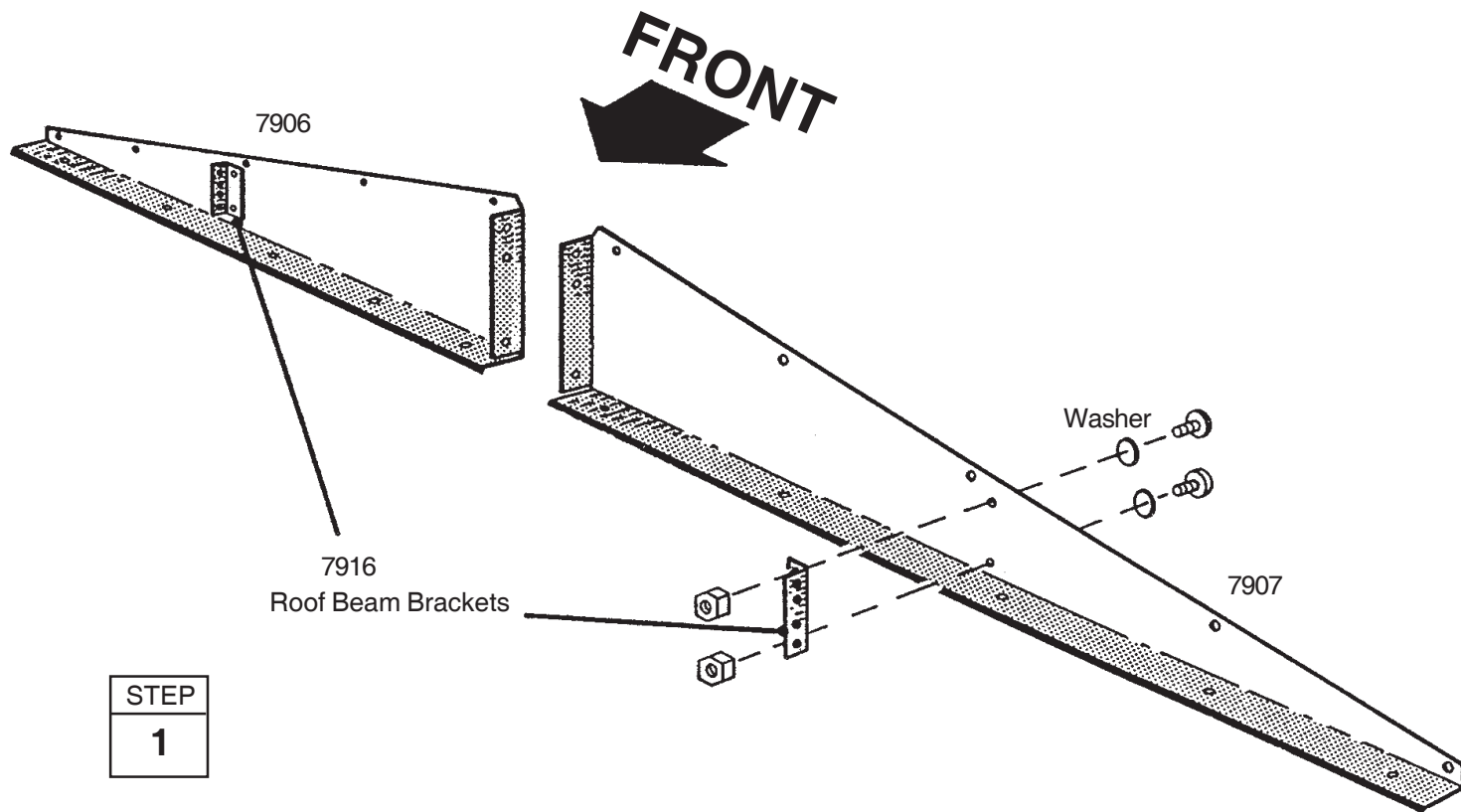
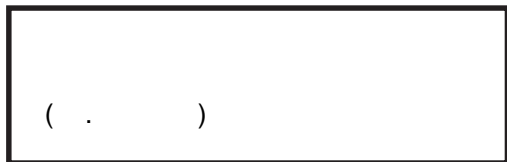
B23hw

● Íáíáóíäèíúá ÷ àñòè ●
Ìííòàæ êðííøòáéííâ ñòðííèë

- 7906 Right Gable (2)
- 7907 Left Gable (2)
- 7916 Roof Beam Bracket (4)



1. 4



STEP
1

ØÃ 11

B24hw

• Ìáíáõíäèìúá ÷ àñòè •

Ìííòàæ òðííòííâ

- Left Gable Assembly (2)
- Right Gable Assembly (2)
- 6658 Gable Brace (2)



(24)



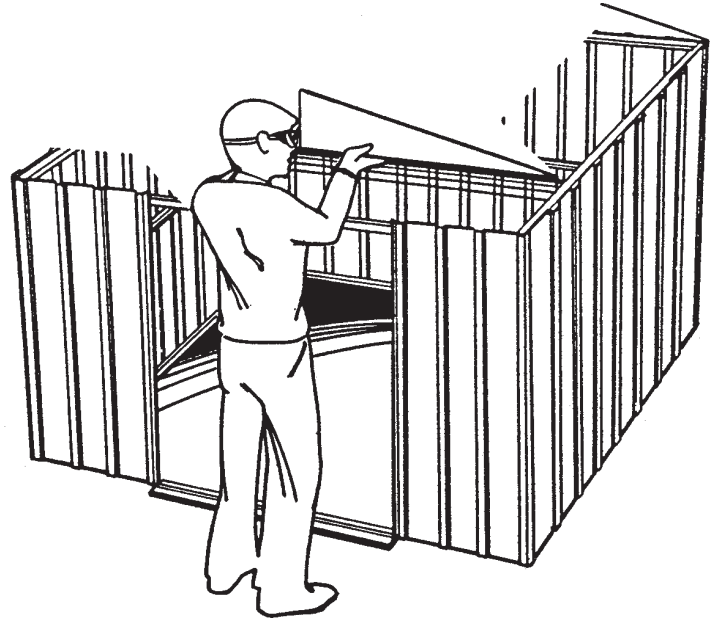
(7)

1

2

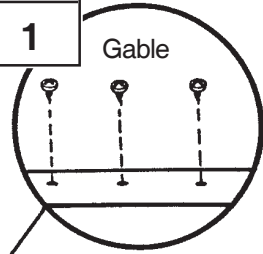
3

1 2



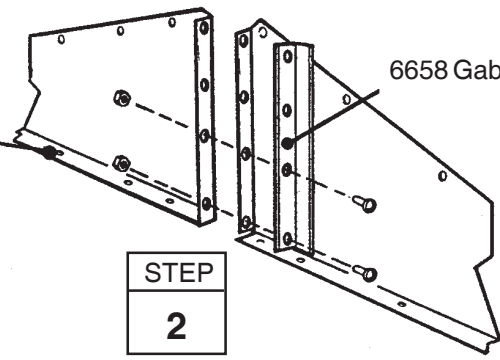
STEP
1

Gable



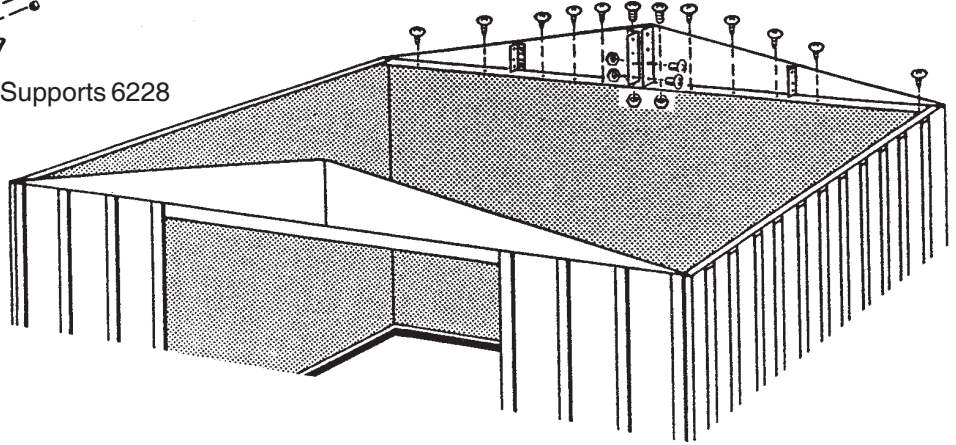
STEP
2

6658 Gable Brace



Track Supports 6228

STEP
3



Ø 12

B25hw

● Íáíáóíáèíúá ÷ àñòè ●

Ñòðíèèà

- Main Roof Beam (1)
- 8474 Roof Beam (2)



1

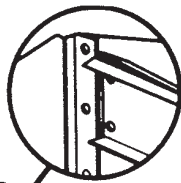
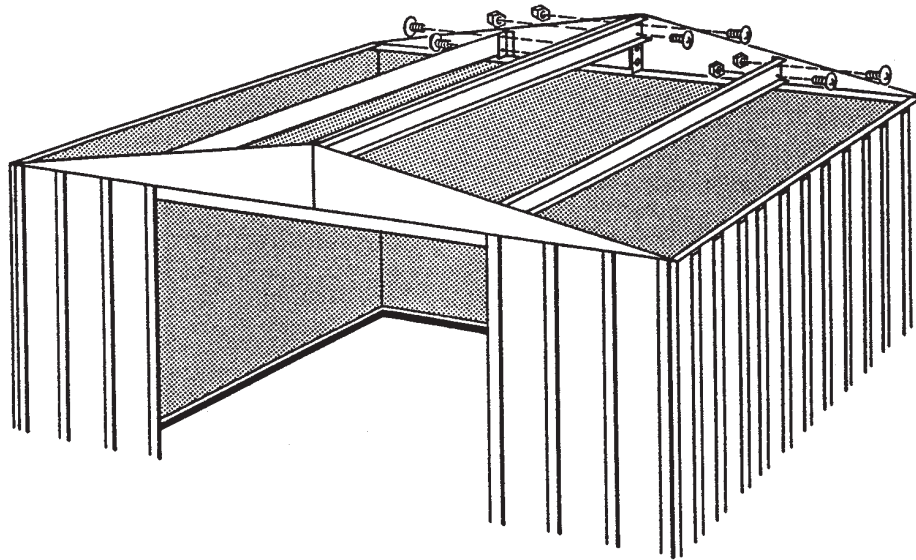
2

3

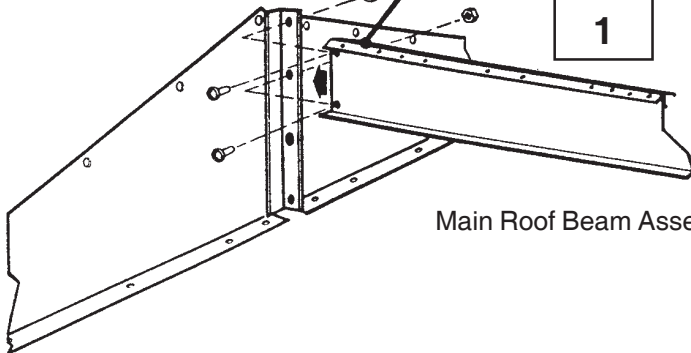
STEP
3

8474 Roof Beam

STEP
2



STEP
1



Main Roof Beam Assembly

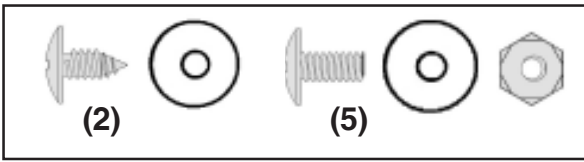
Ø 13

B26hw

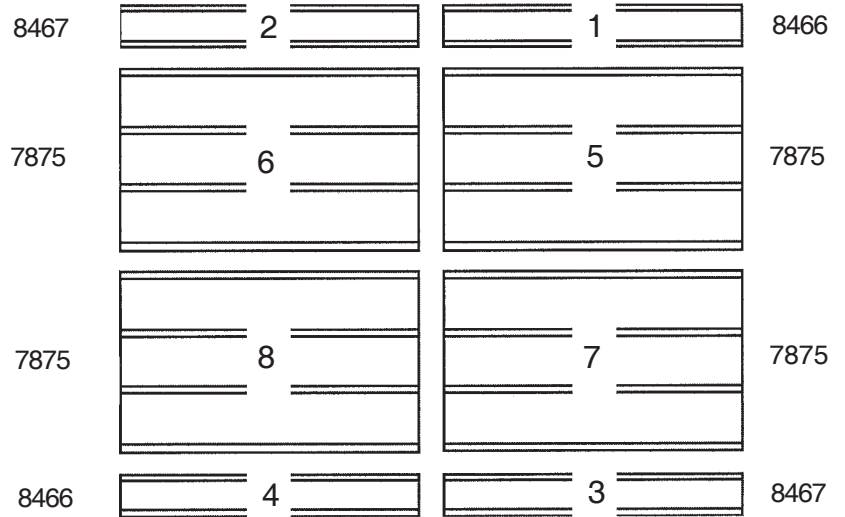
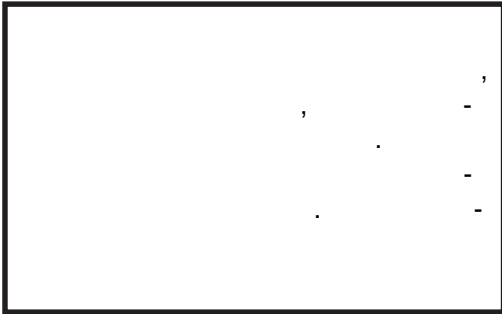
● íáíáóíáèìúá ÷ àñòè ●

● 8466 Right Roof Panel (1)

İðàâÿ iððäiÿÿ iàíáèü êðûøè

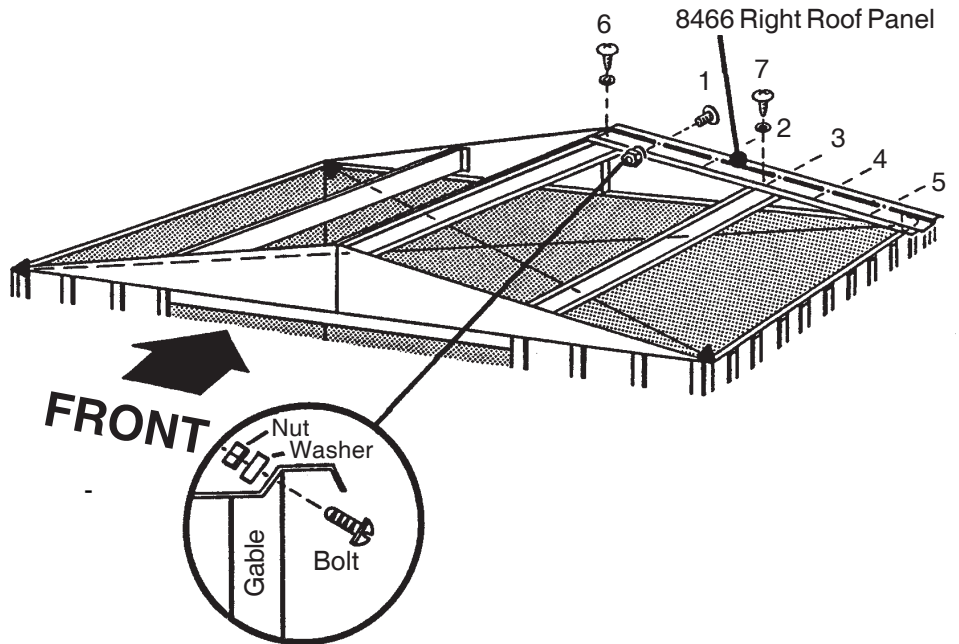
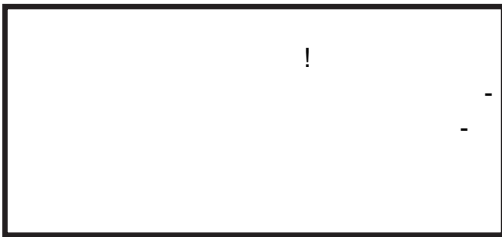


STEP
1



FRONT

STEP
2



FRONT

1.

2

5

2

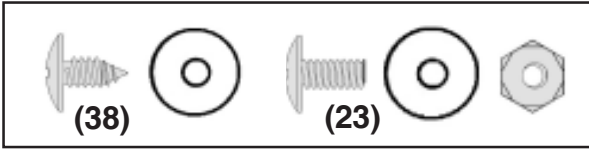
Ø 14

B27hw

● íáíáíáèìúá ÷ àñòè ●

Ìííòàæ êðúøè

- 8467 Left Roof Panel (2)
- 7875 Roof Panel (4)
- 8466 Right Roof Panel (1)



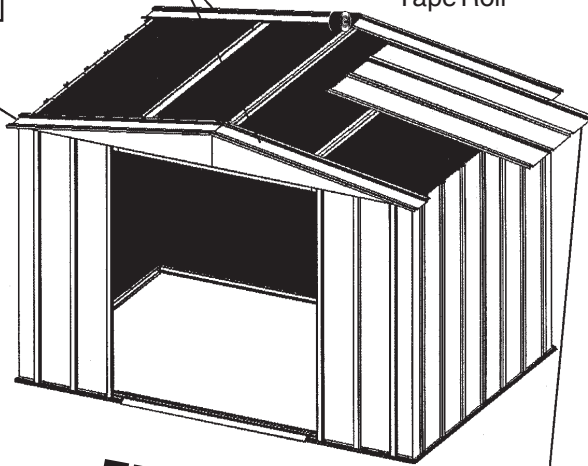
STEP 1

8467 Left Roof Panel

Weather Stripping Tape Roll

STEP 2

8466 Right Roof Panel



7875 Roof Panel

FRONT

1
2
3

5
4

Screws To Roof Beam

Fasten At Overlap with Bolt

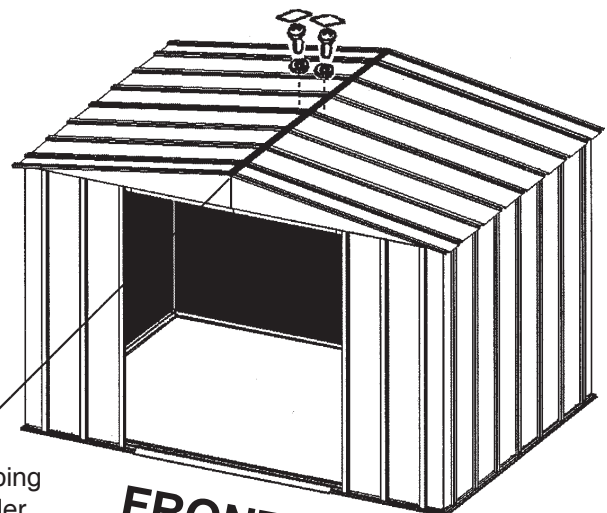
Fasten At Overlap with Bolt

Screws To Roof Beam

Do not fasten at this time

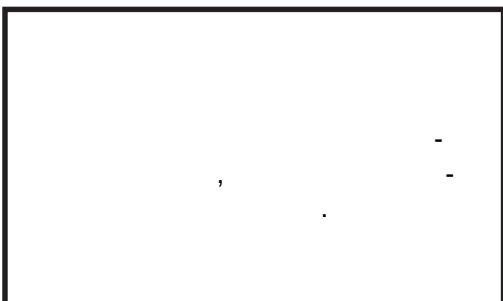
STEP 3

Strips



Cut Weather Stripping and Fold Under

FRONT

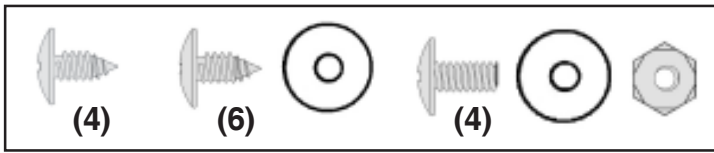


ØÃ 16

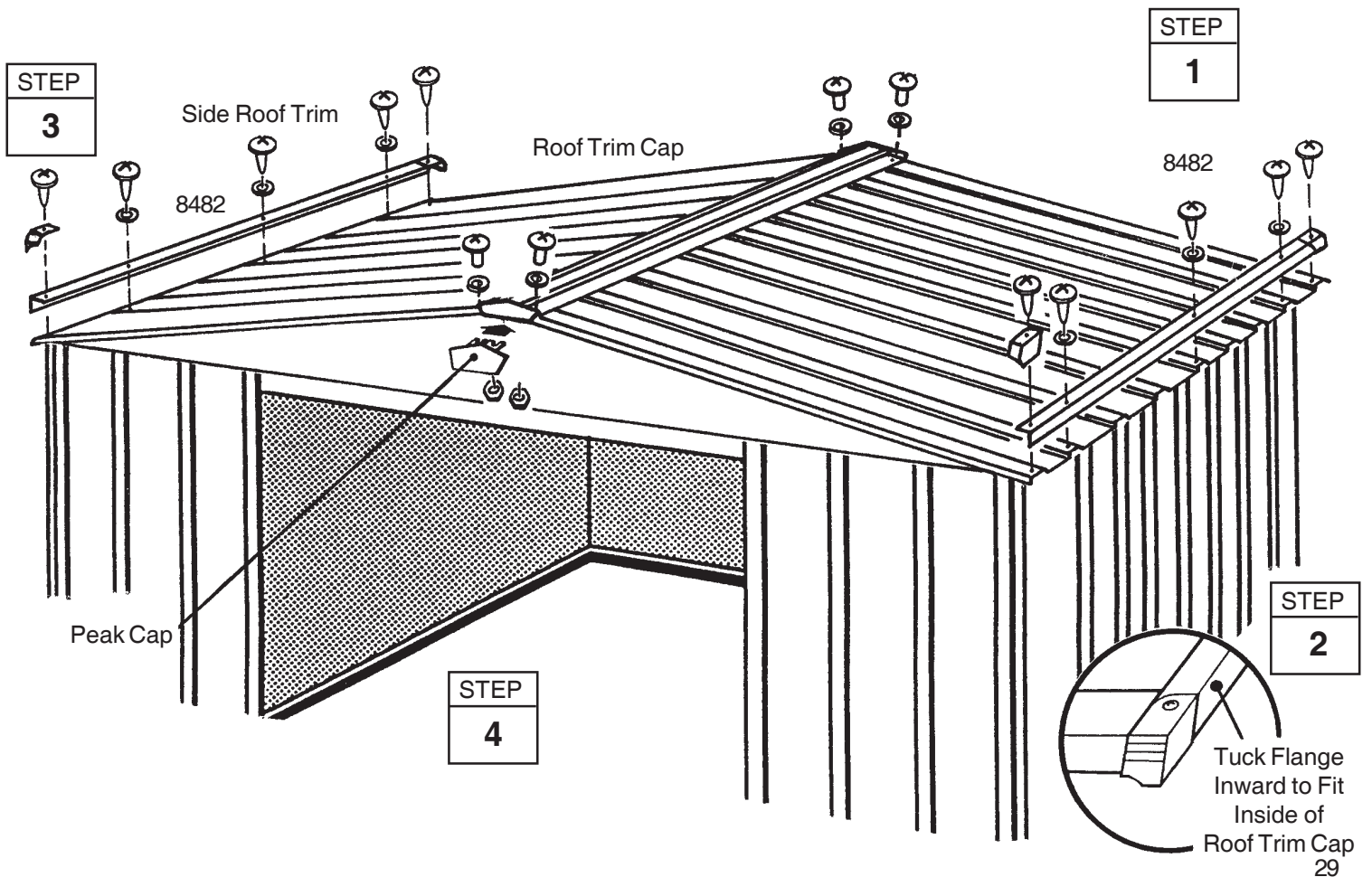
B29hw

• Íáíáõíäèìúá ÷àñòè •
Îòääëêà êðûøè

● 8482 Side Roof Trim (2)



- 1
 - 2
 - 3
 - 4
- (3) .

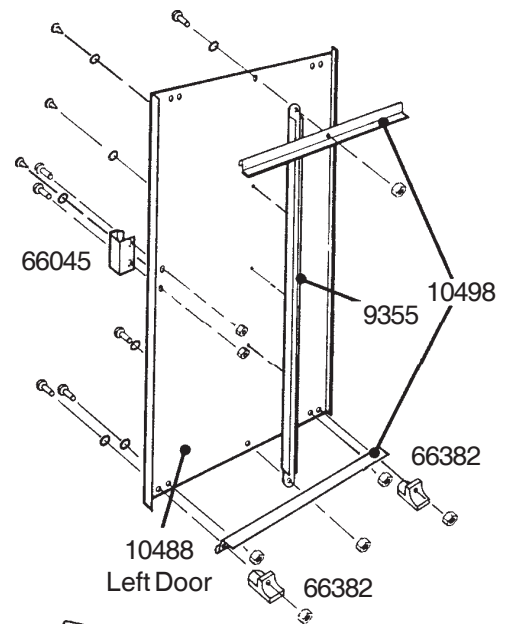
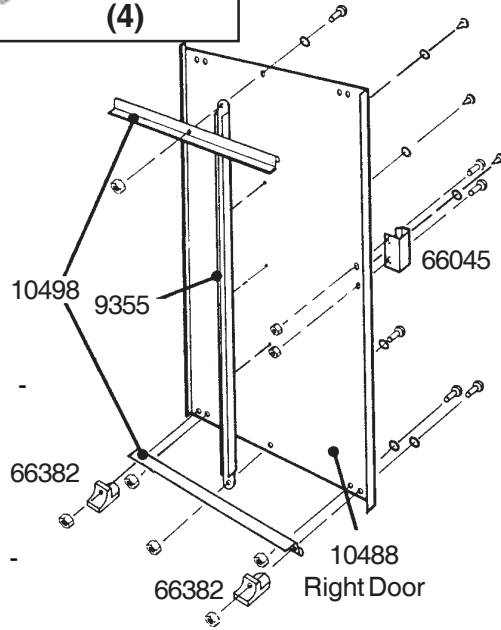
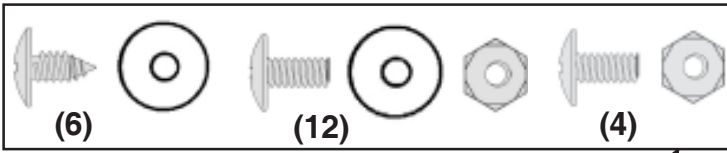


Ø 17

B30hw

● Íáíáóíäèìúá ÷àñòè ●
Ñáíðèà äâäðáé

- 10488 Right and Left Doors (2)
- 10498 Horizontal Door Brace (4)
- 9355 Vertical Door Brace (2)



1

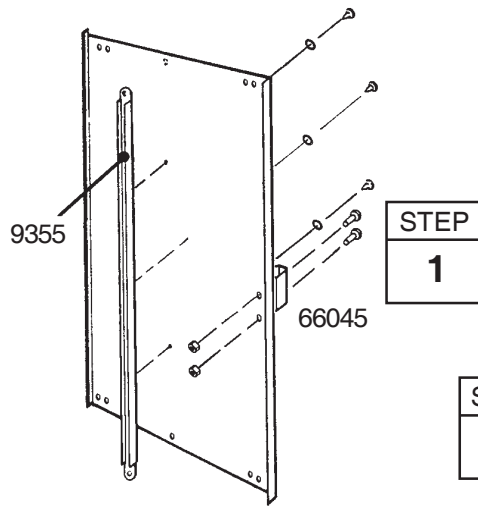
2

3

4

5

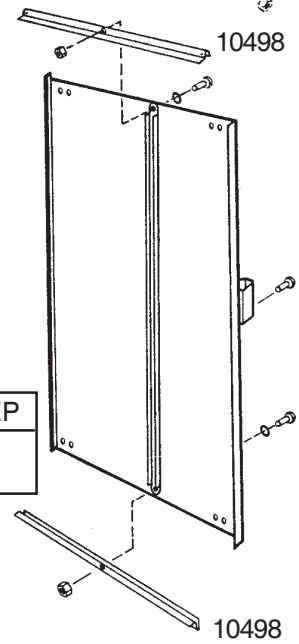
1-4



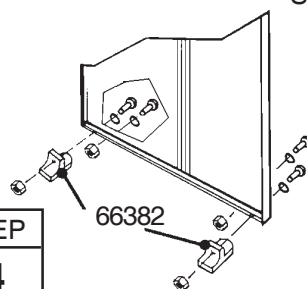
STEP
2

STEP
1

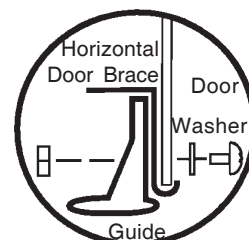
STEP
3



STEP
4



END VIEW
SHOWING:



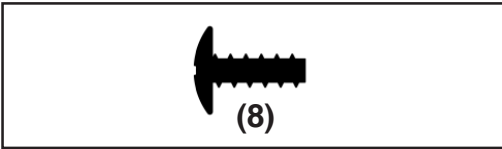
Ø 18

P31hw

● Right Door Assembly (1)

● Left Door Assembly (1)

Front Floor Frame Assembly

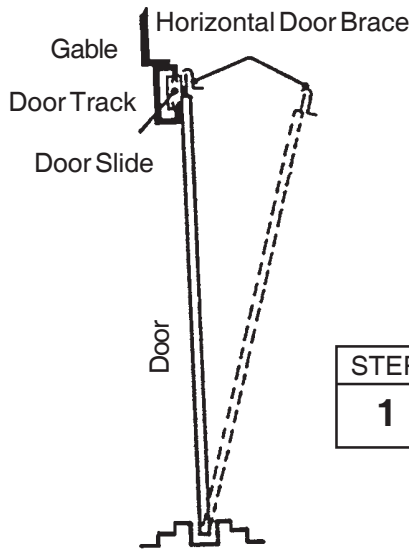


1

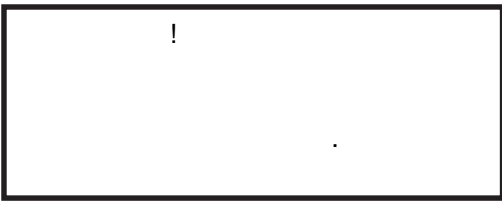
2

3

13-

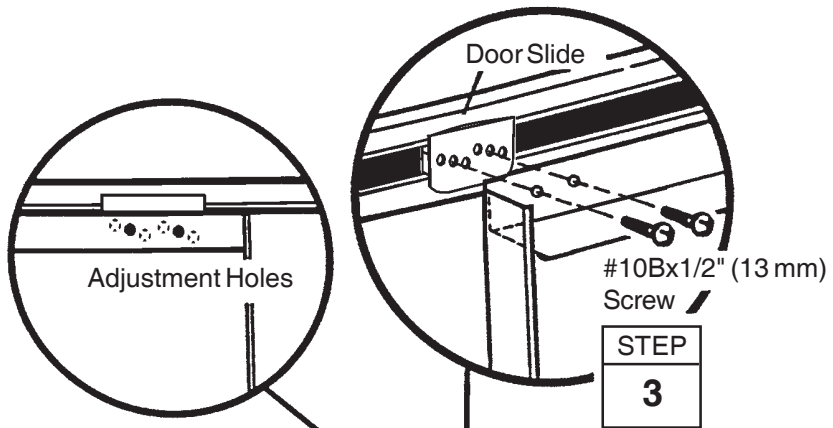


Front Floor Frame Assembly

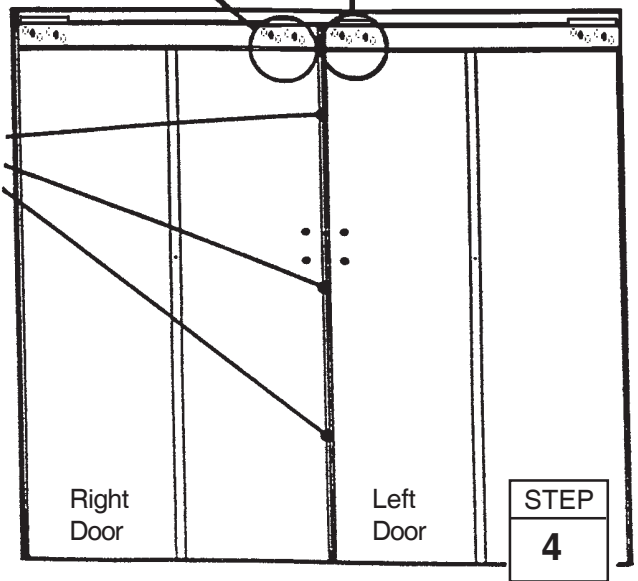


4.

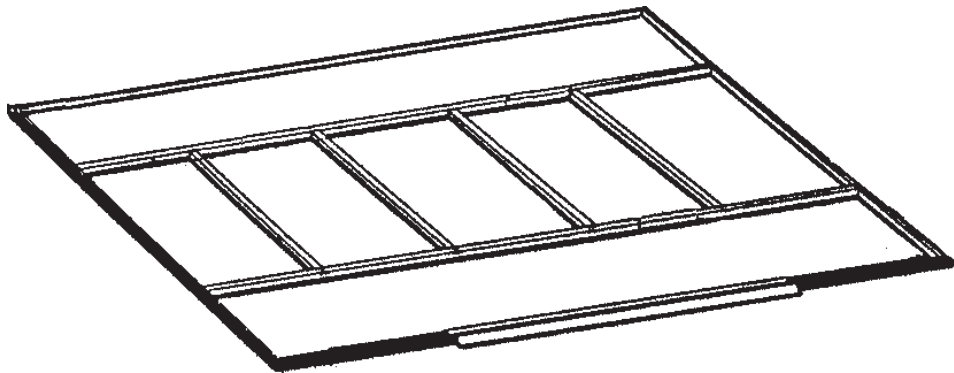
1-3



Adjustment Holes Allow Doors to Meet Evenly Along Their Length



!



1.

2.

3.

4.